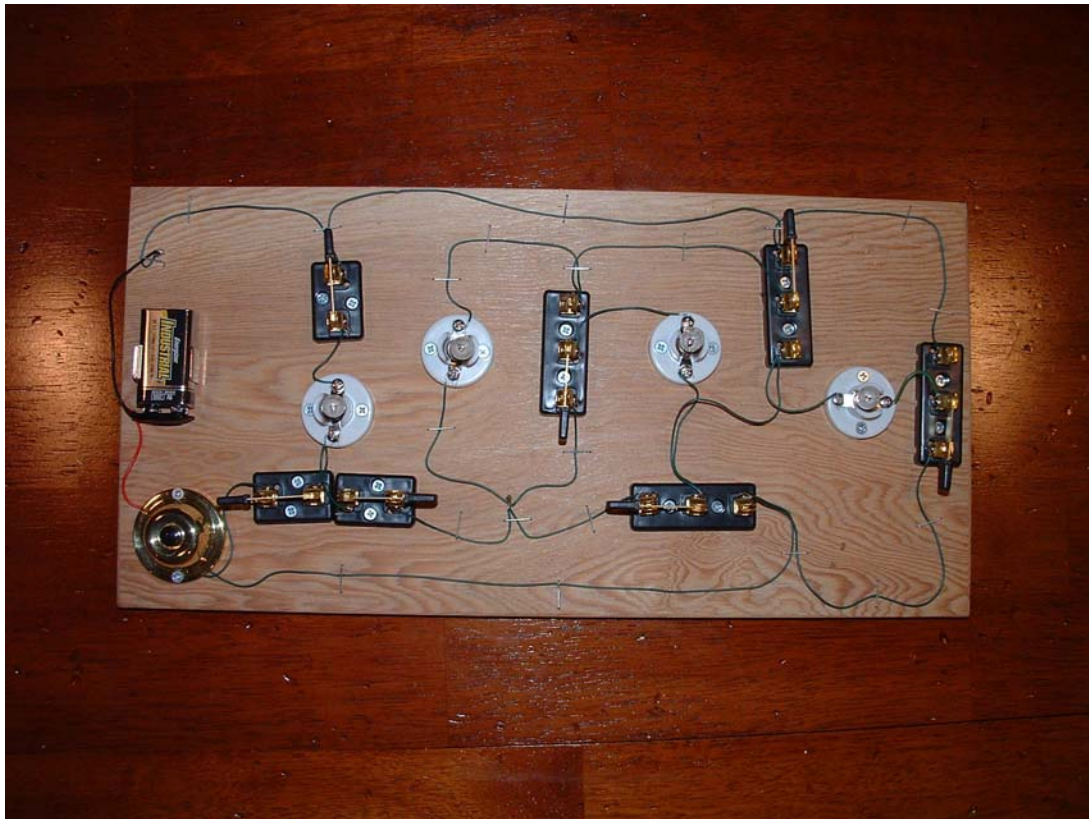
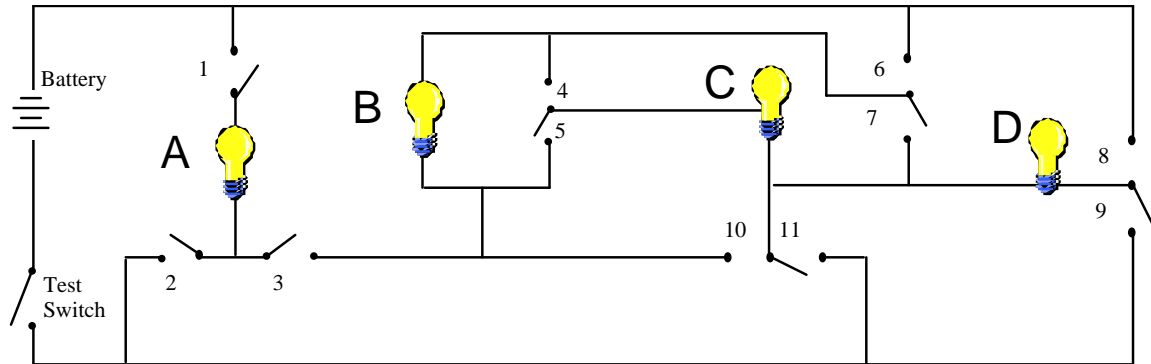
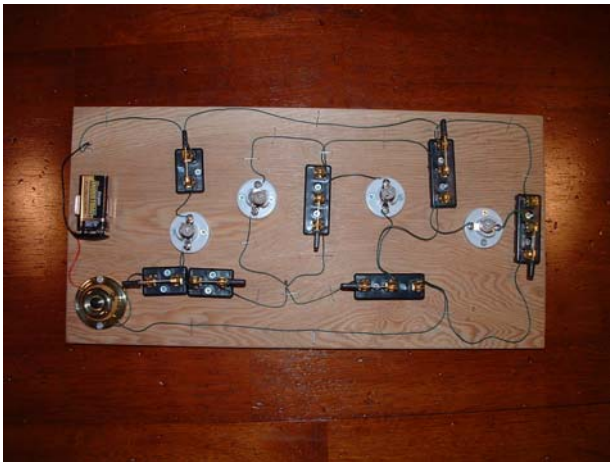


Building Your Foutan Board (a diagram for construction)



Item	Catalog number	Pieces per board	Cost per item	Total
Single pole, single throw knife switch	WW6310600	3	\$2.75	\$8.25
Double throw, single pole knife switch	WW6311100	4	\$3.25	\$13.00
GE-40 , 6.3 V mini bulbs (lamps)	WW622100 Pkg 10 \$15.55	4	\$1.56	\$6.24
Doorbell button	Local	1	\$4.00	\$4.00
Small lamp base	WW6004100 12 at \$23.88	4	\$1.99	\$7.96
9-Volt battery clip	Local	1	\$0.50	\$0.50
board	Local	1	\$5.00	\$5.00
Small flatheaded wood screws 4 x 5/8	Local hardware Box - \$4.00	26	\$1.00	\$1.00
22 gauge wire	WW6362504 30 m \$7.95	3 meters	\$0.80	\$2.40



All catalog prices from Sciencekit.com